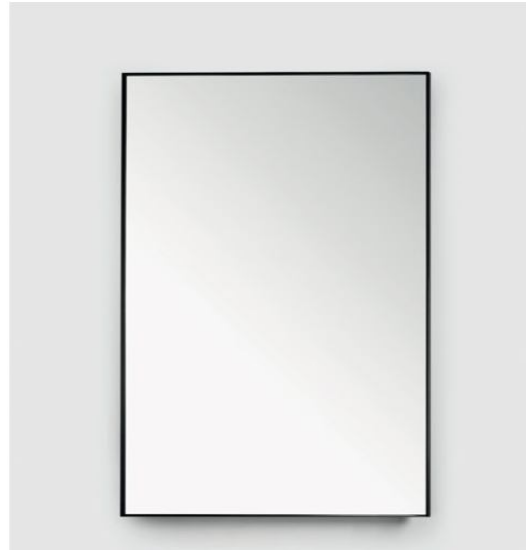


# GAMMA Installation instructions

Please read these instructions first. We reserve the right to change product specifications due to possible technical improvements.



1. Identify a position which does not fall into "Zone 1" as shown.



Refers to the area above the bath or the shower, up to a height of 2.25 metres. The minimum rating required here is IPX5.

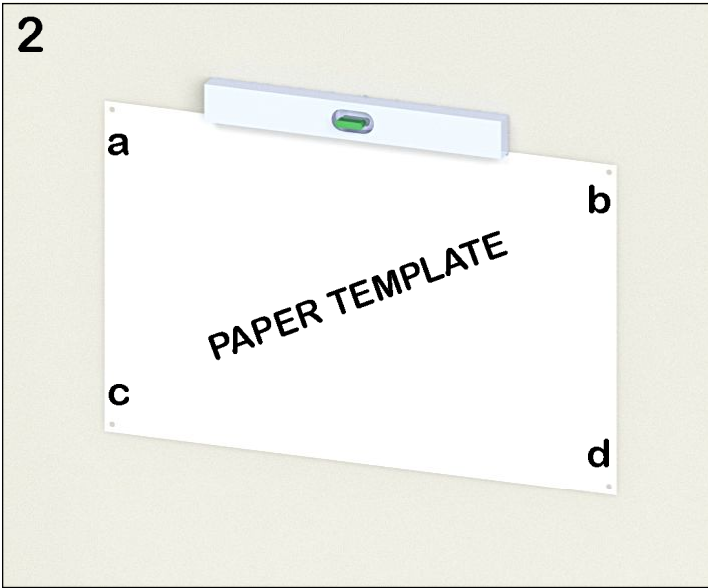


Covers an area of 0.6 metres wide immediately next to, and all around "Zone 1". Washbasins should also be treated as "Zone 2". The minimum rating required here is IPX4.



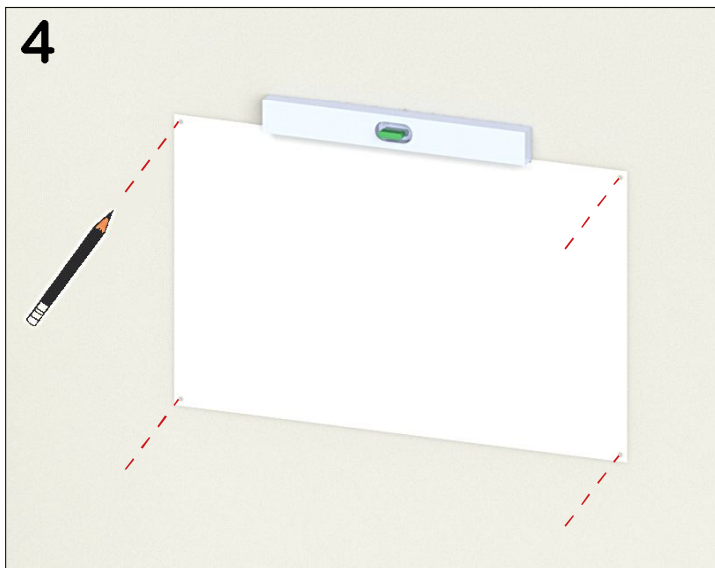
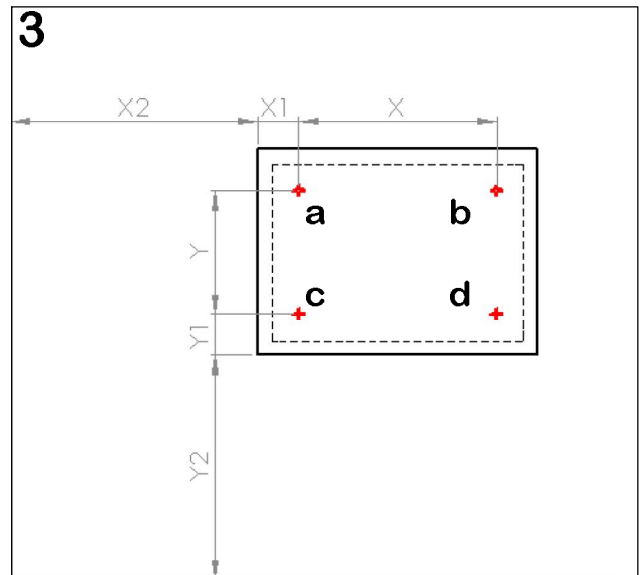
Has no special requirements, unless water jets are likely to be used for cleaning purposes.

# GAMMA Installation instructions



2. In order to facilitate installation we have included a paper template to drill the holes in the wall.

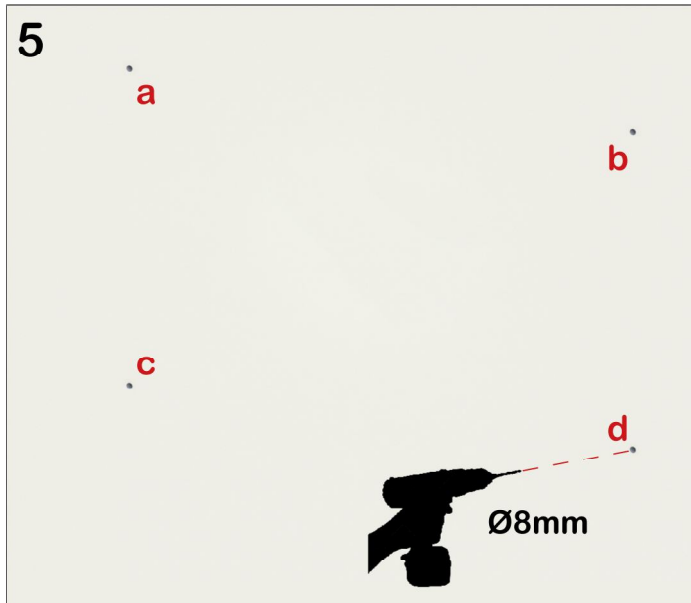
3. Unfold the paper template and apply on the mirror back to ensure that the holes match up.



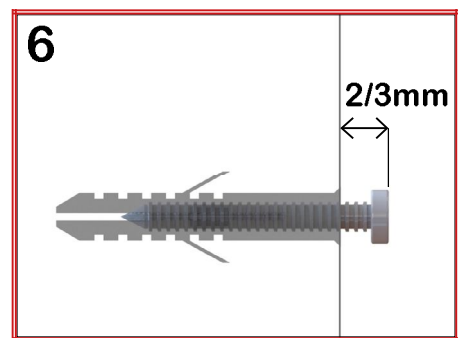
4. Tape the paper template to the wall taking into consideration the position of the mounting holes and the mirror edge. With a level, position the template so that it is perfectly level.

# GAMMA Installation instructions

**5.** Ensure that there are no water pipes or electrical wiring behind the fixing points.



**6.** Drill and insert the screw anchors suited to the type of wall to which the mirror will be fixed (only screws in the case of wood studs).



a-b-c-d



**7.** Hang the mirror.

# GAMMA Installation instructions

## Operating Instructions:

### Product Care:

- Do not use abrasives or solvents when cleaning the mirror.
- Clean off all the water as soon as possible using a soft, damp cloth so that to avoid stains on the surface.

### Product Life :

At the end of its useful life, entrust the unit to th local waste disposal company.