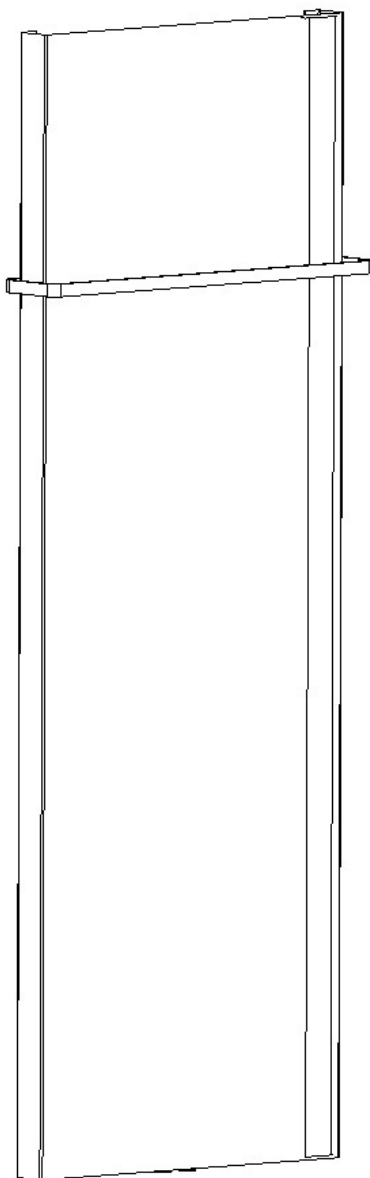


6: install effect chart; (The position of towel bar could be adjusted according to customer's request.)

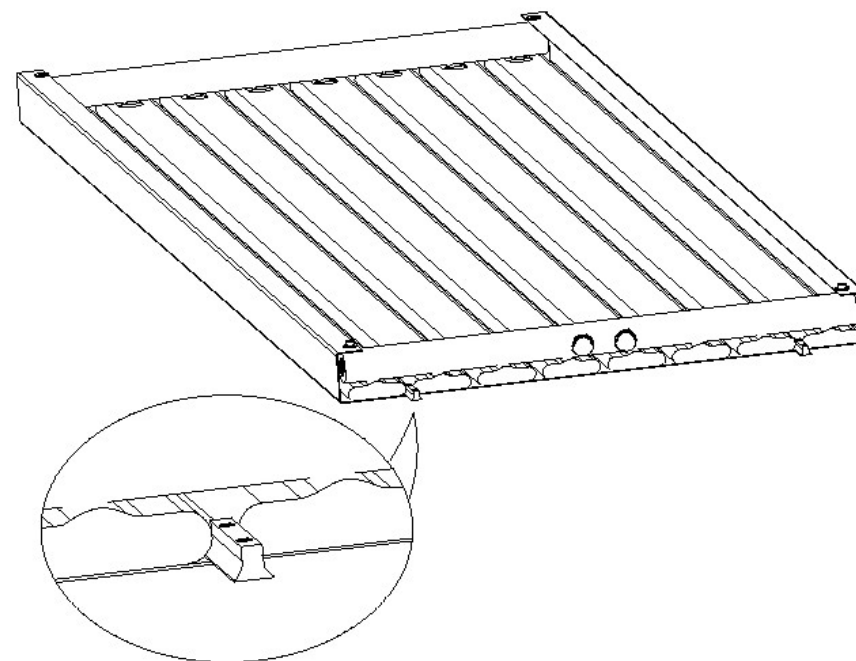


## Towel Hanger Installation Instruction

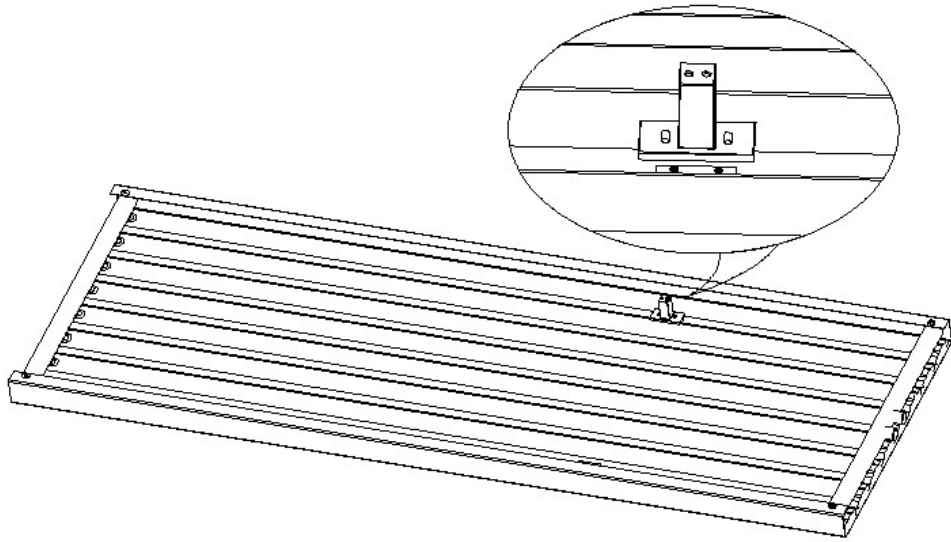
1: prepare towel bar and installed accessories:



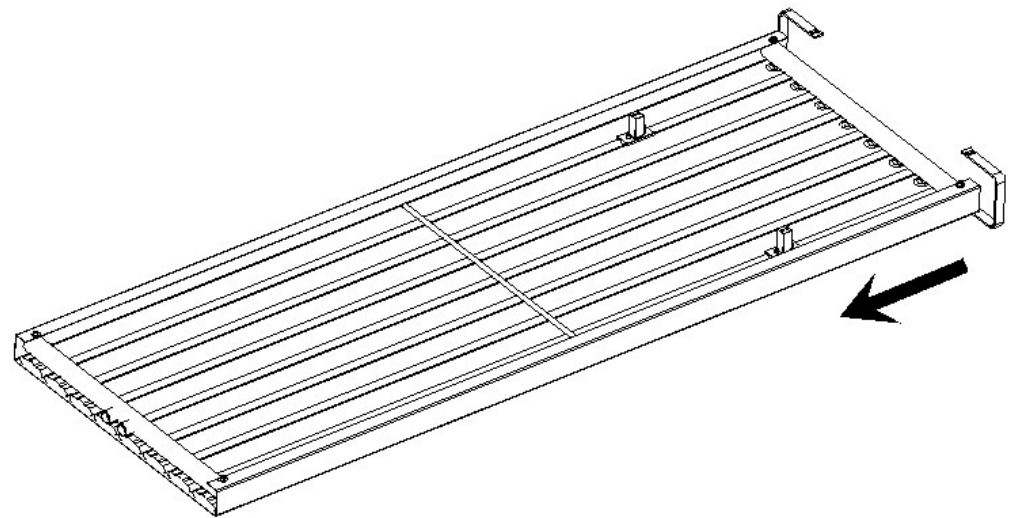
2: push two sliding blocks along the gap between flat tubes, stop at installed place:



3: align fixed seat to the screw hole of sliding blocks:



5: move the towel bar to the fixed seat position and use screws to fix them together:



4: use allen wrench to tighten screws and the fixed seats should be installed at same horizontal line:

