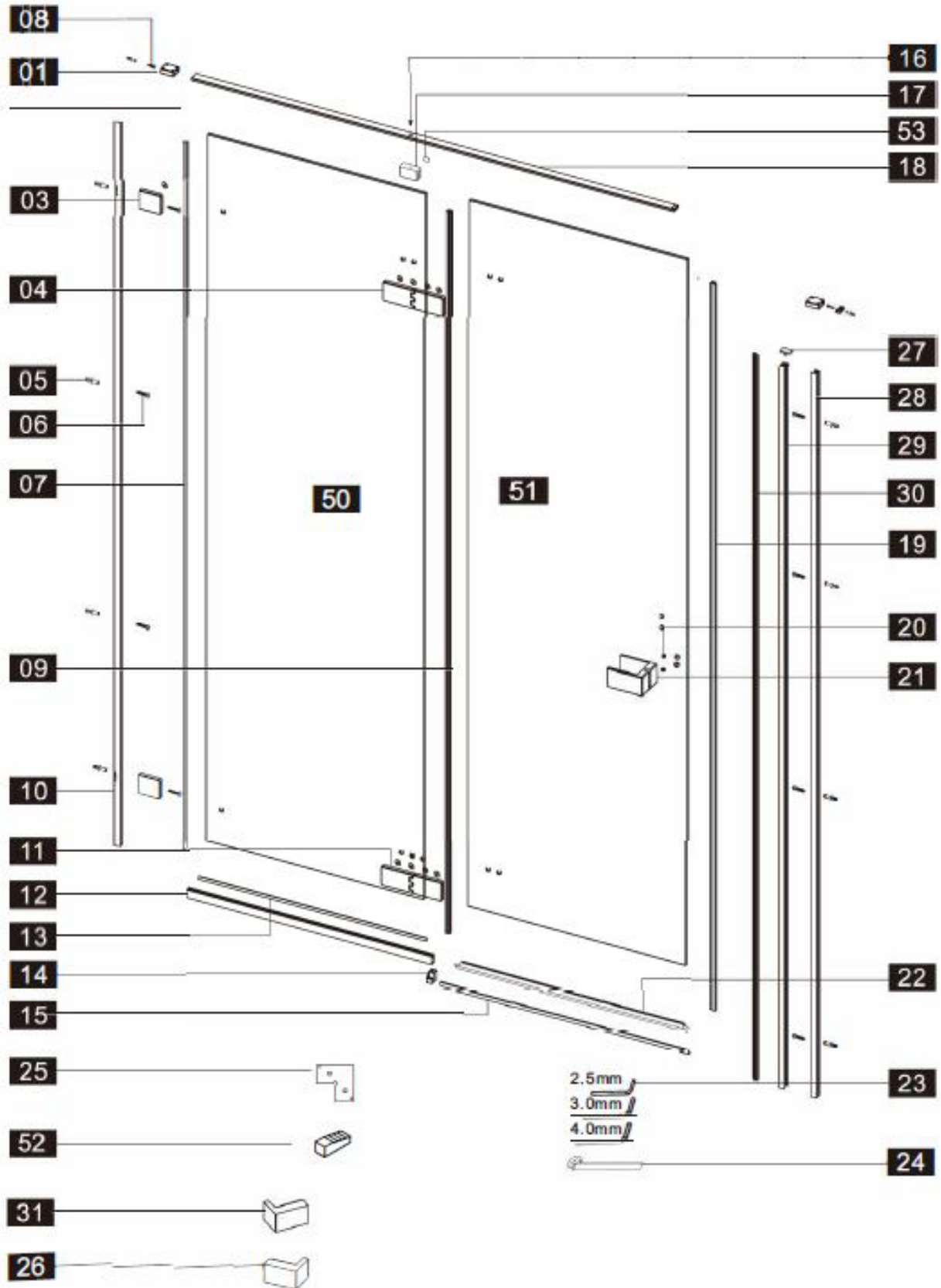


**Instruction Manual
PARDD**

PRODUCT OVERVIEW:






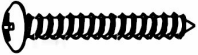









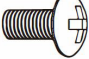




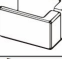



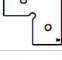












This product is heavy and requires assembly by two people.

INSTRUCTION MANUAL

PARDD

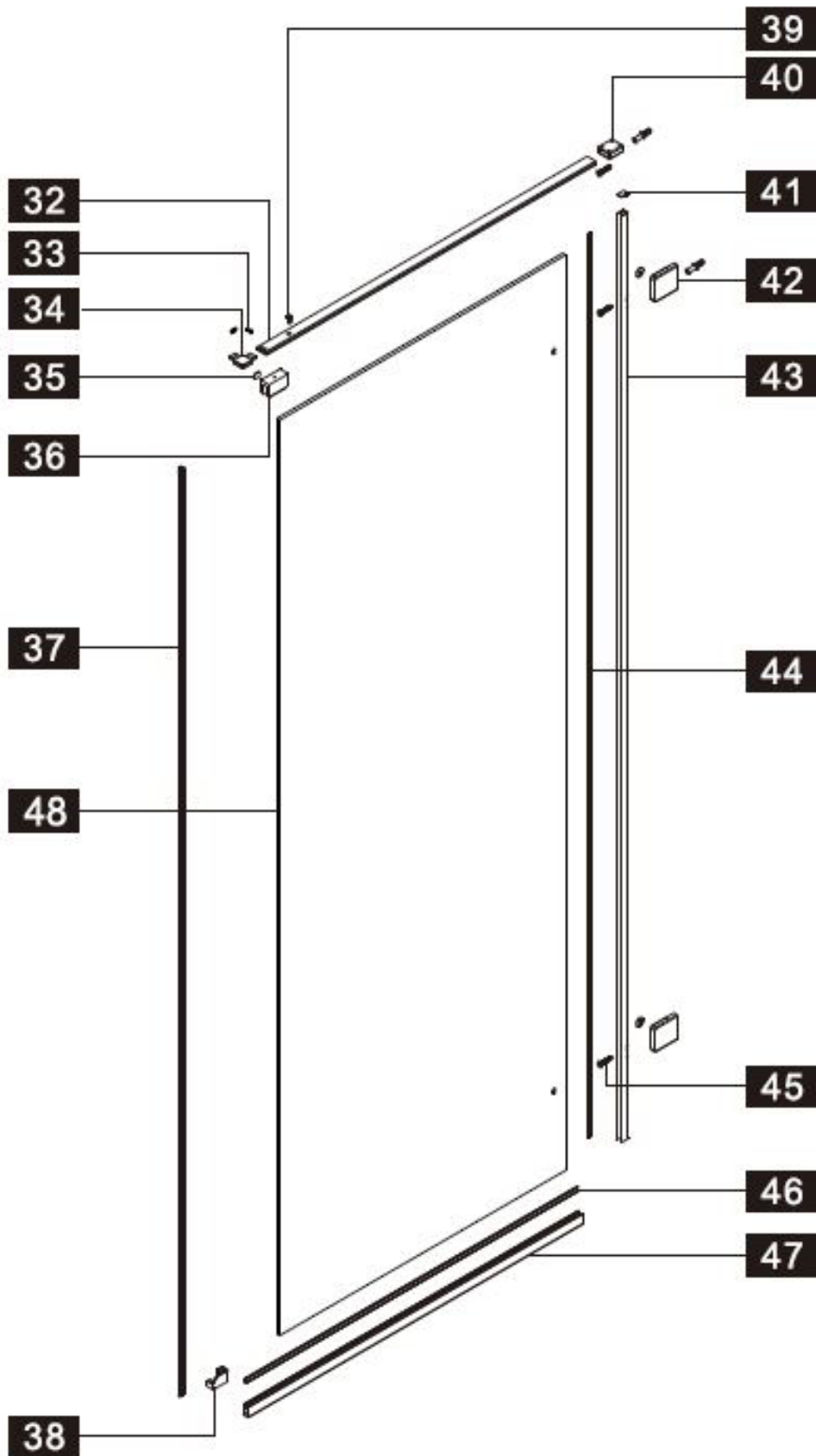


Number	Drawing	Quantity
1		2 pieces
2		1 piece
3		2 pieces
4	 L	1 piece
5		10 pieces
6	 ST4X30	6 pieces
7		1 piece
8	 ST4X30	4 pieces
9		8 pieces
10		1 piece
11	 R	1 piece
12		1 piece
13		4 pieces
14	 L R	1 piece
15		1 piece
16	 M4*8	1 piece
17		1 piece
18		1 piece
19		1 piece
20		1 piece
21		1 piece
22		1 piece
23	 2.5mm 3.0mm 4.0mm	1 piece
24		1 piece
25		1 piece
26		1 piece



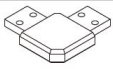






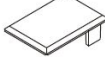





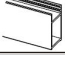

27		2 pieces
28		1 piece
29		2 pieces
30		1 piece
31		10 pieces
50		6 pieces
51		1 piece
52		4 pieces
53		8 pieces



This product is heavy and requires assembly by two people.

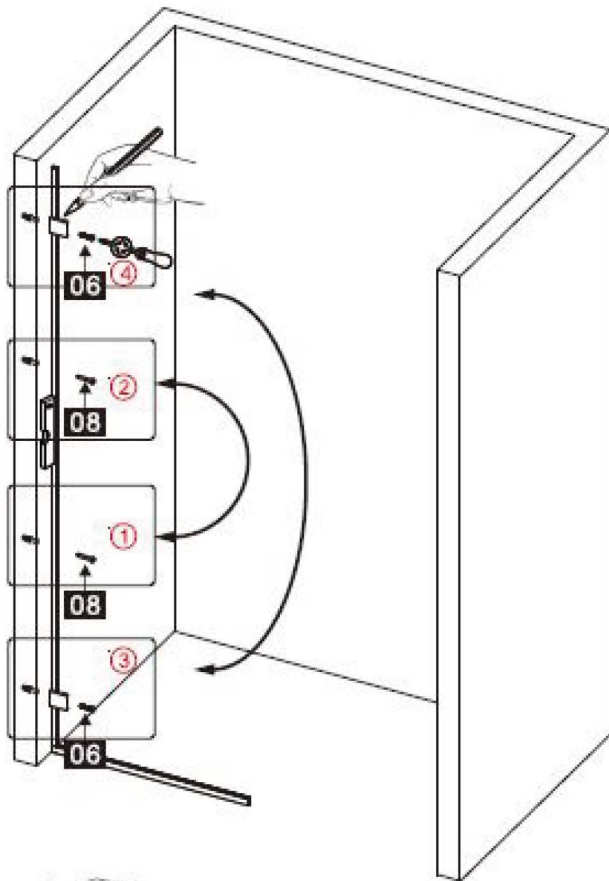


This product is heavy and requires assembly by two people.

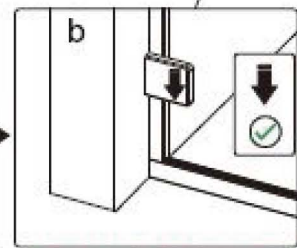
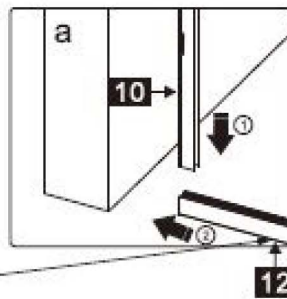
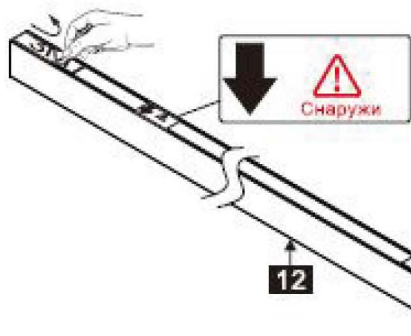
32		1 piece
33	 M5*5	4 pieces
34		1 piece
35		1 piece
36		1 piece
37		1 piece
38		1 piece
39	 M4*8	1 piece
40		1 piece
41		1 piece
42		2 pieces
43		1 piece
44		1 piece
45	 ST4X30	2 pieces
46		1 piece
47		1 piece
48		1 piece



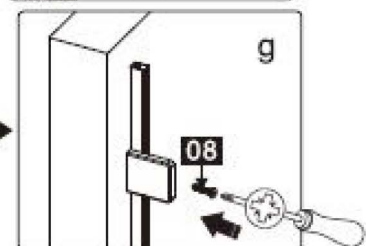
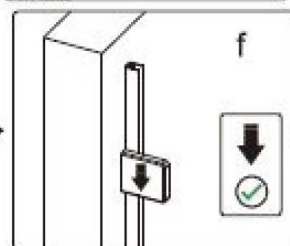
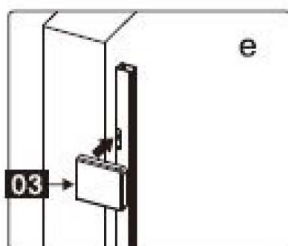
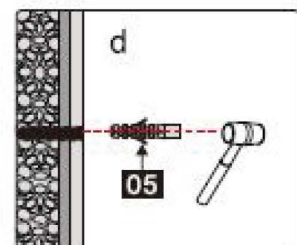
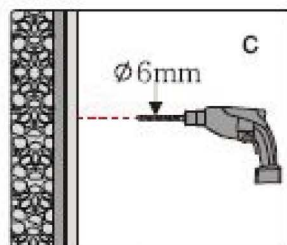
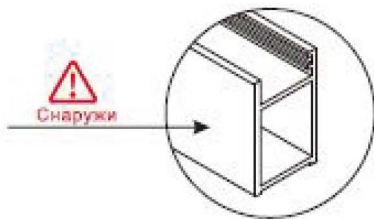
This product is heavy and requires assembly by two people.



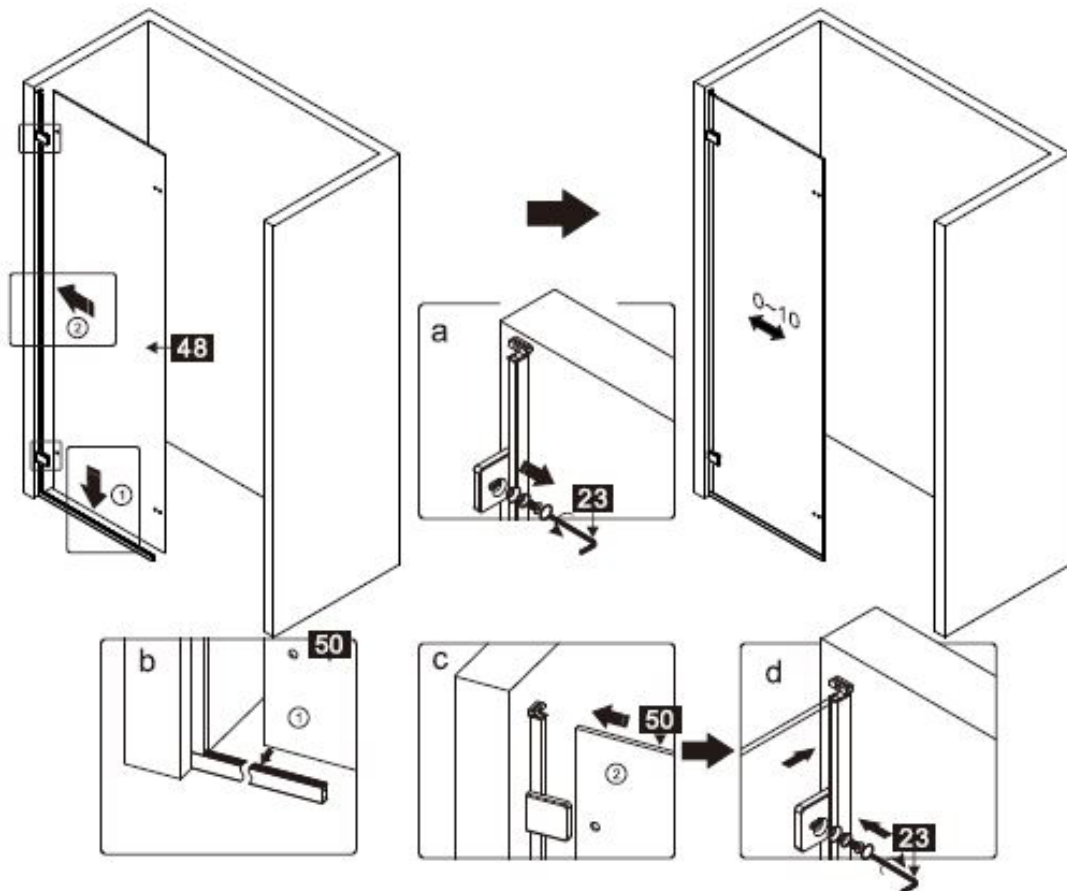
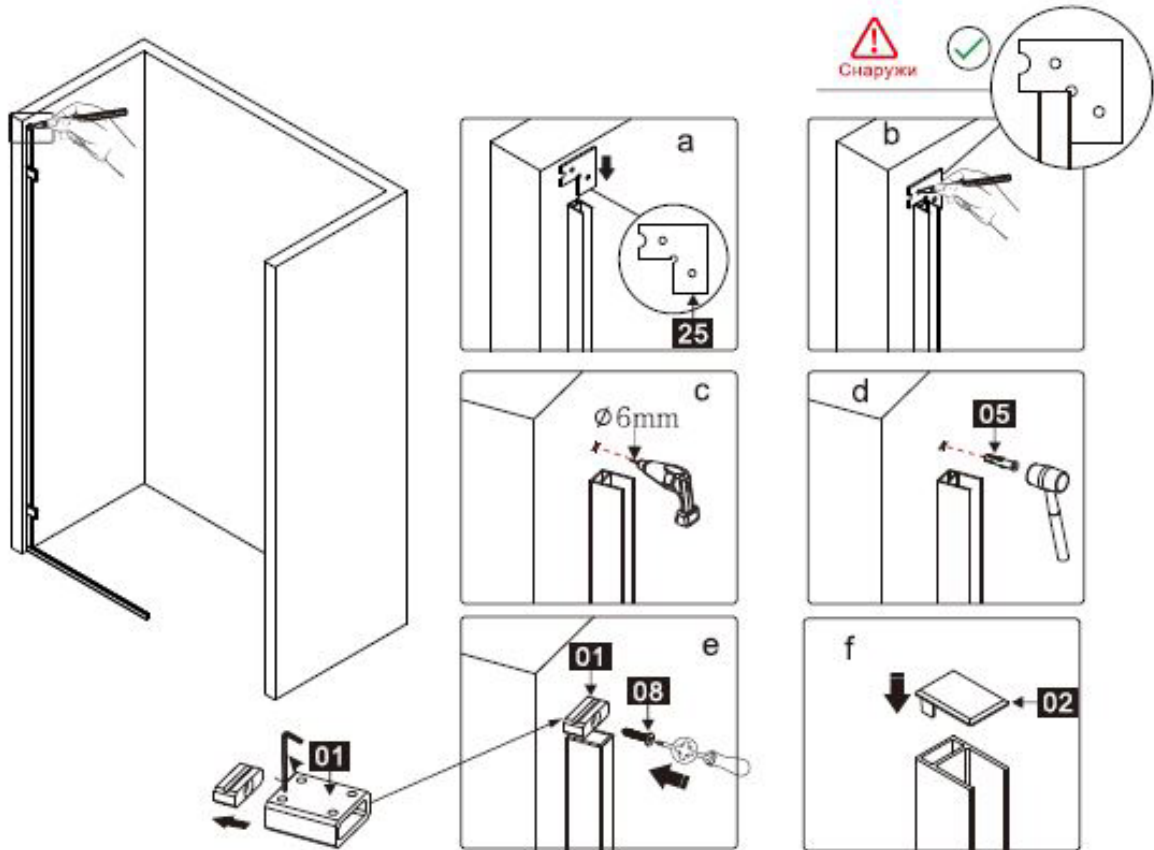
Measurement	Installation size (mm) / A
900	880~900
1200	1180~1200



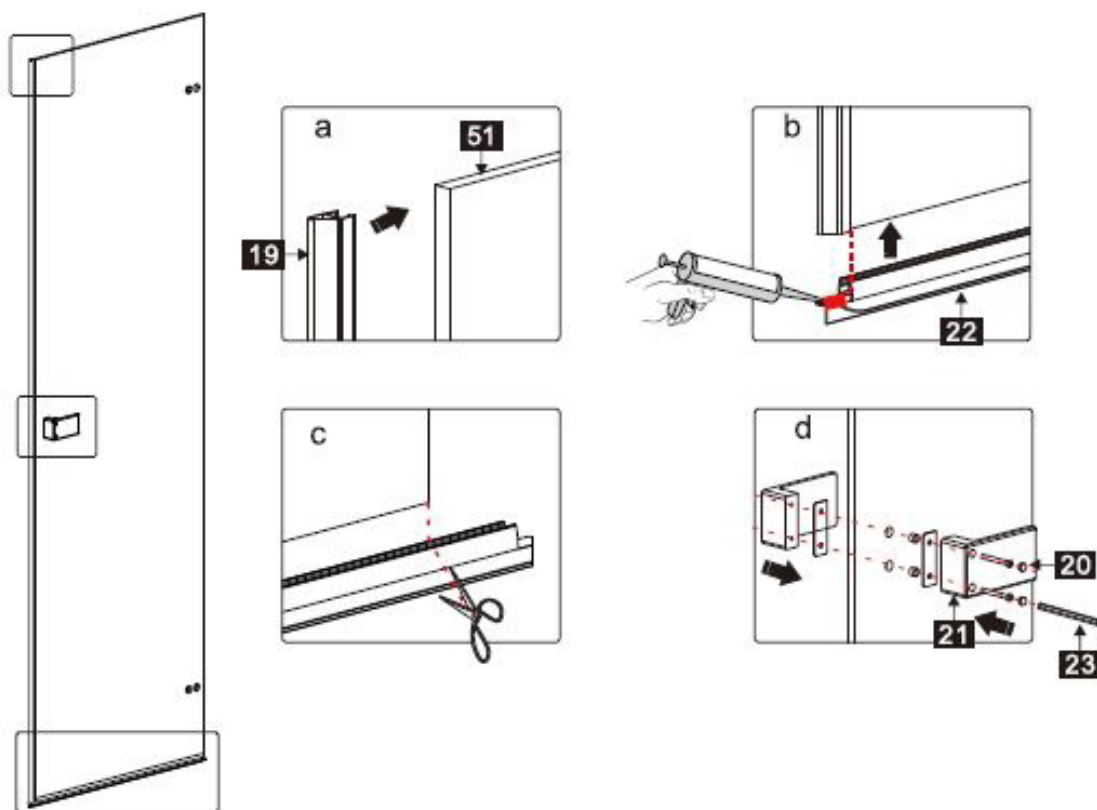
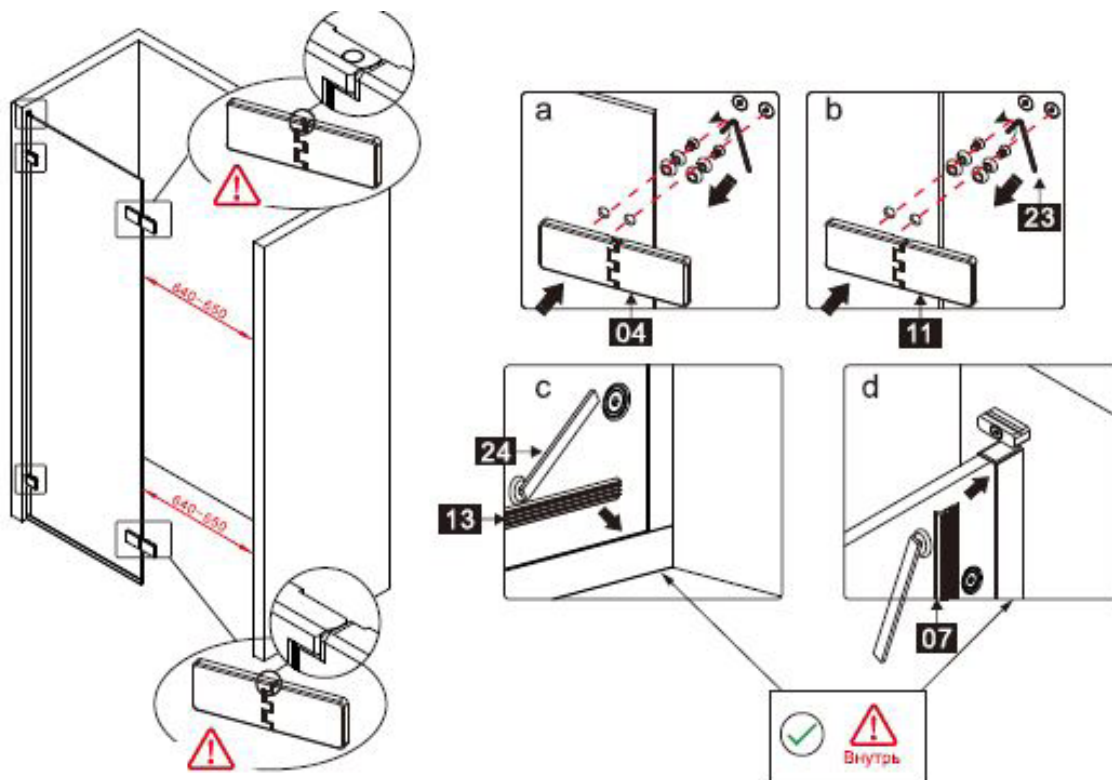
Вставьте петлю в нижнюю часть прорези и отметьте позицию



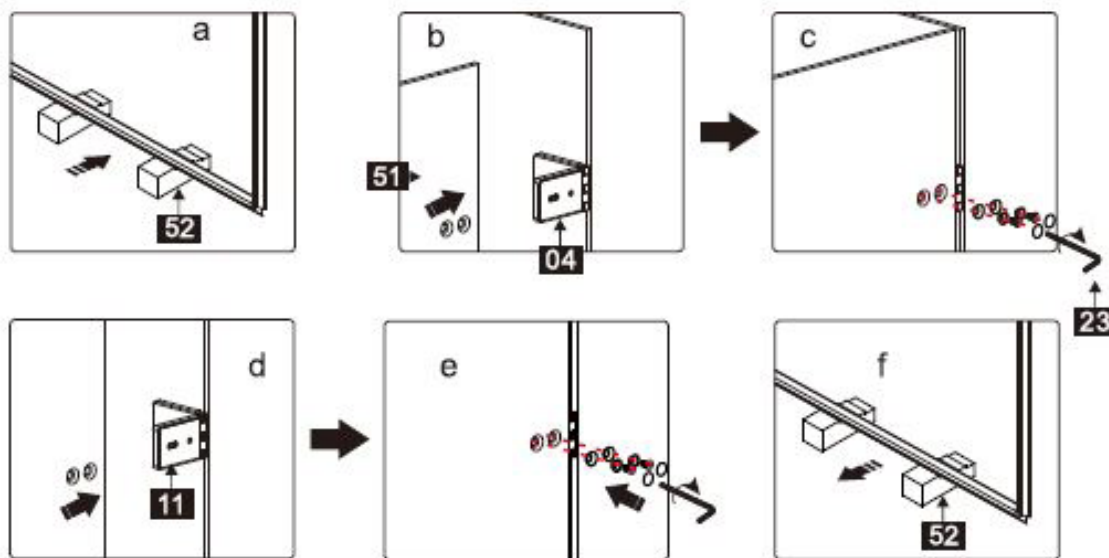
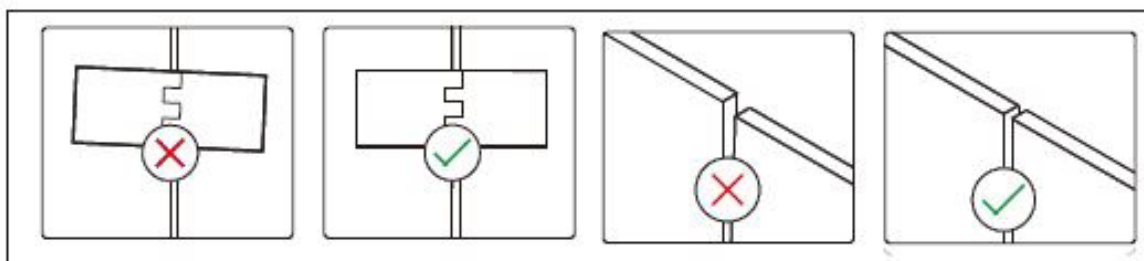
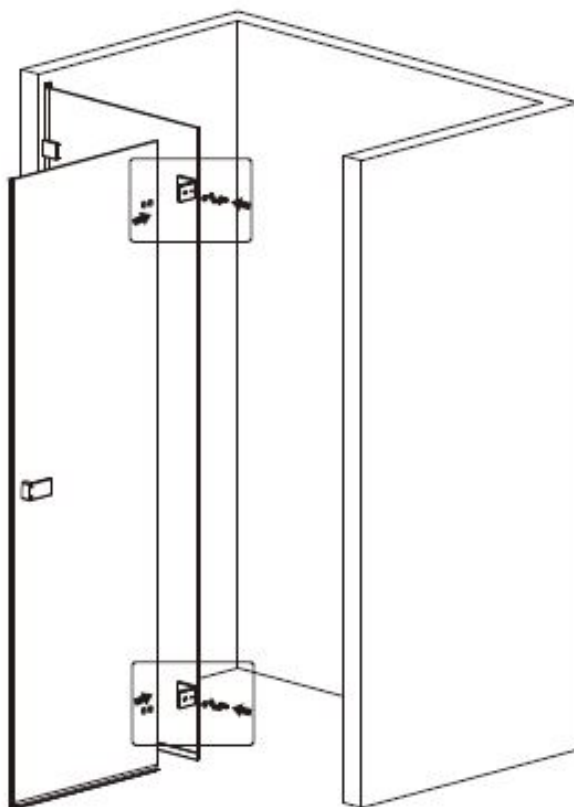
This product is heavy and requires assembly by two people.



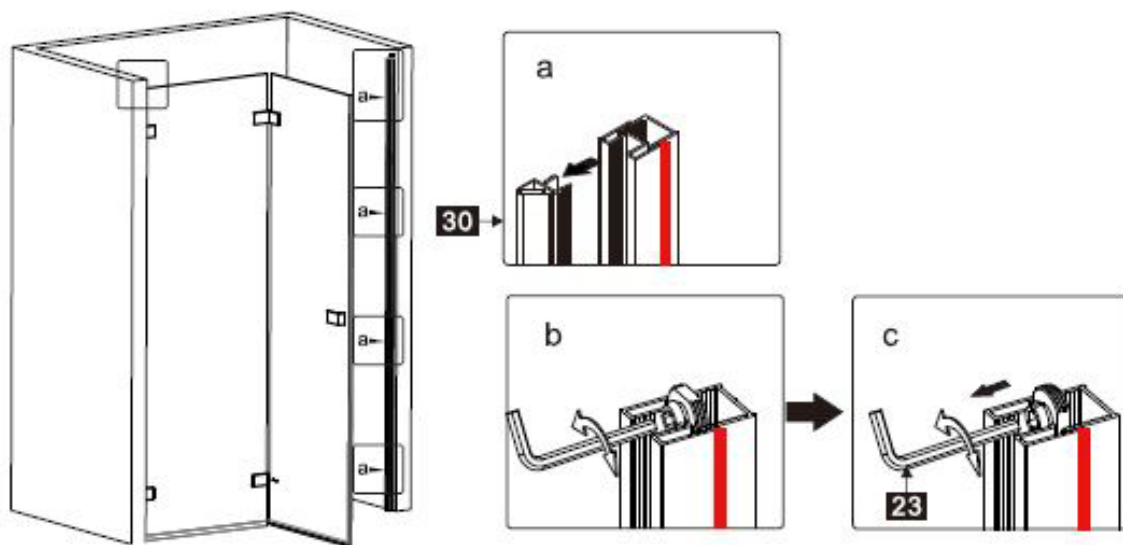
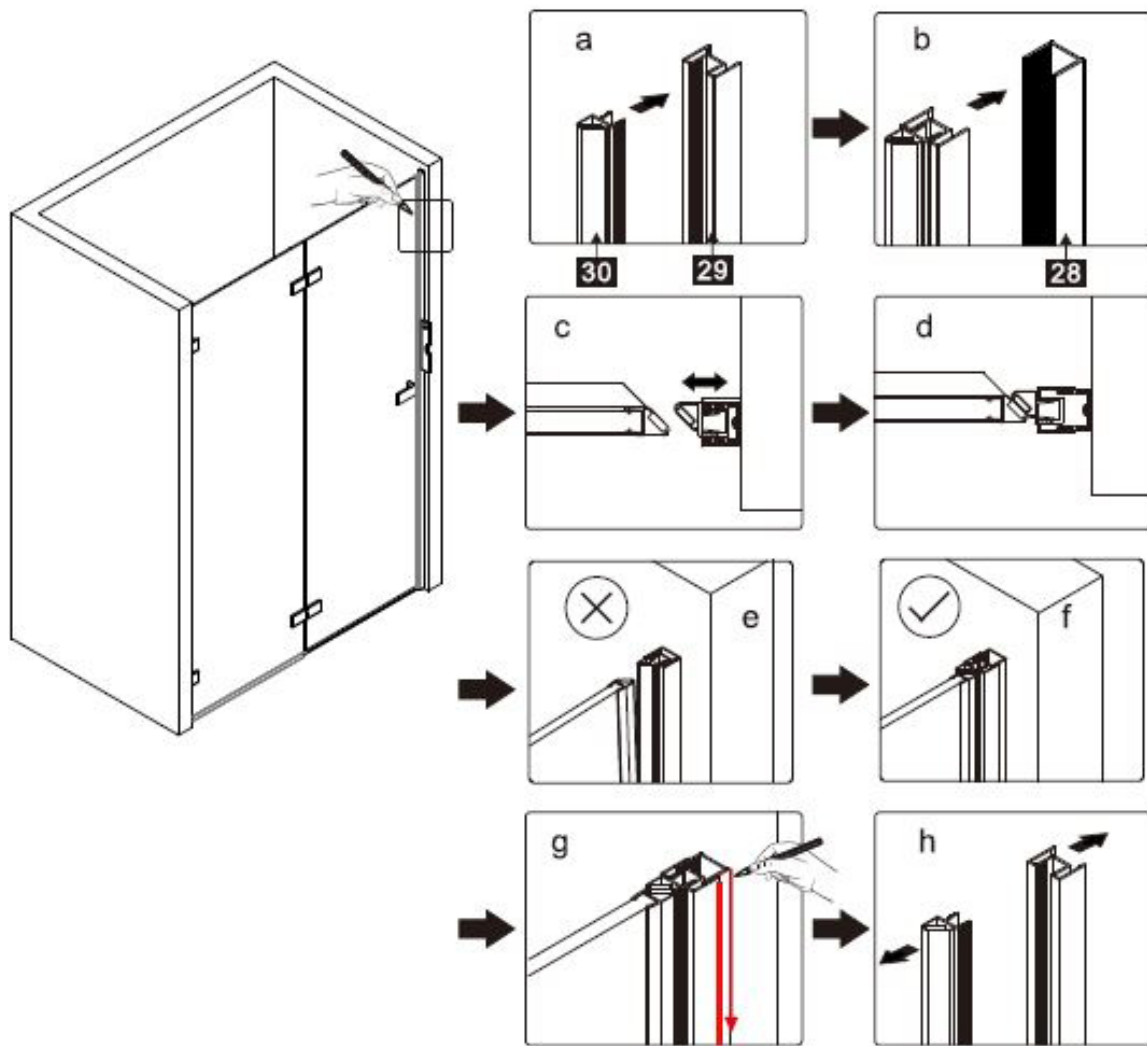
This product is heavy and requires assembly by two people.



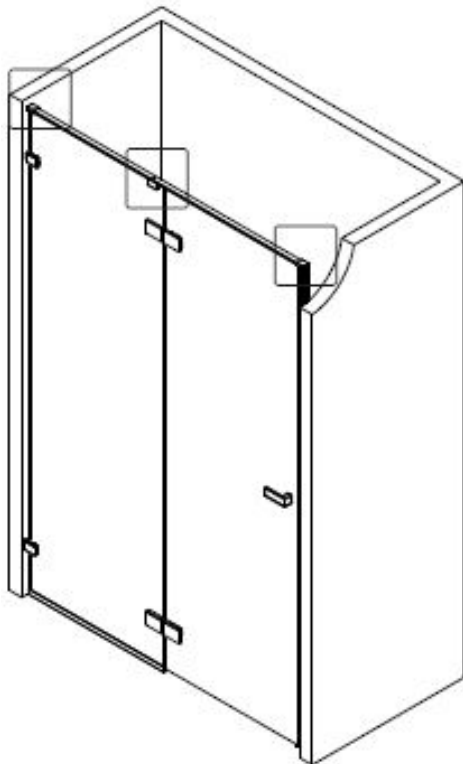
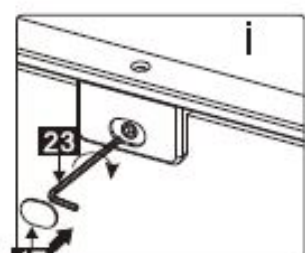
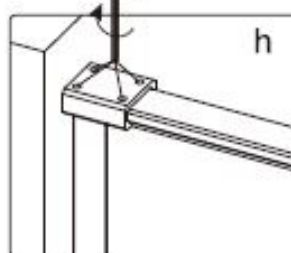
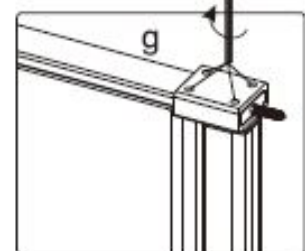
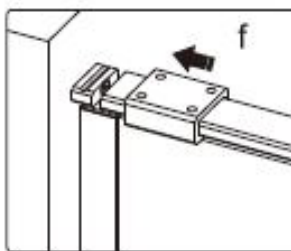
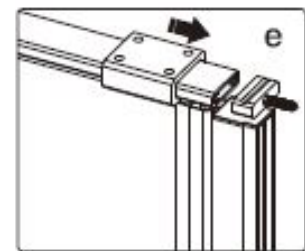
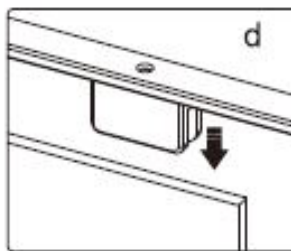
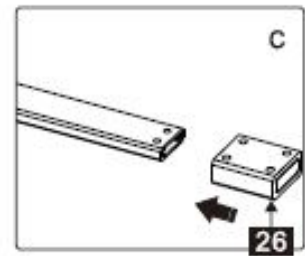
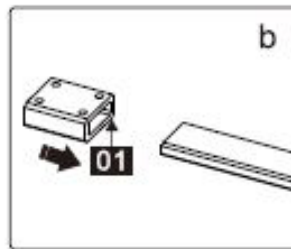
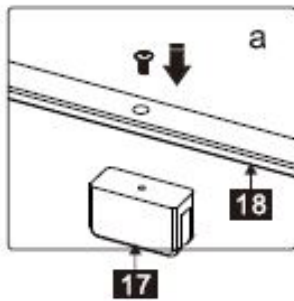
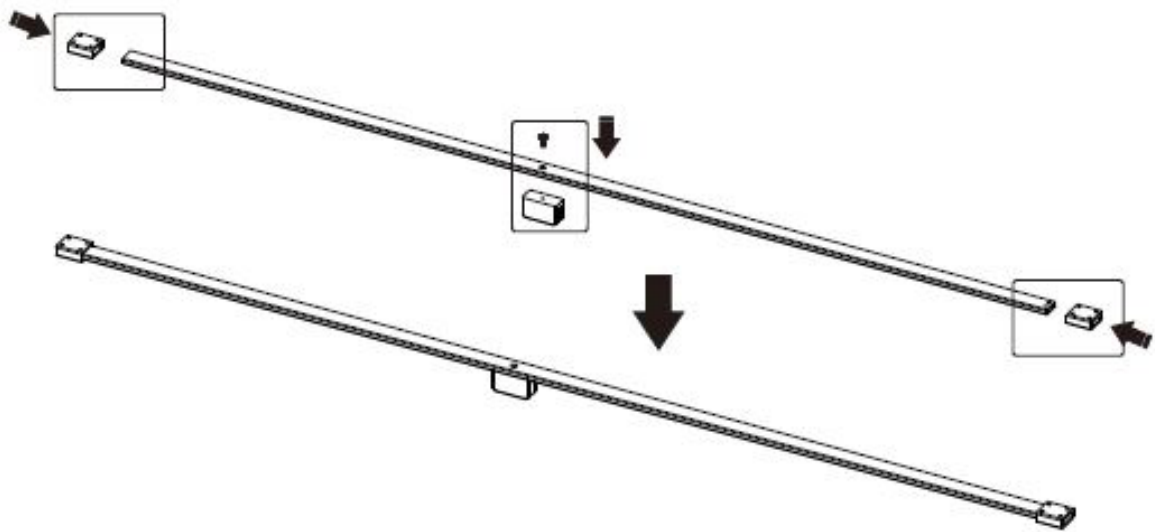
This product is heavy and requires assembly by two people.



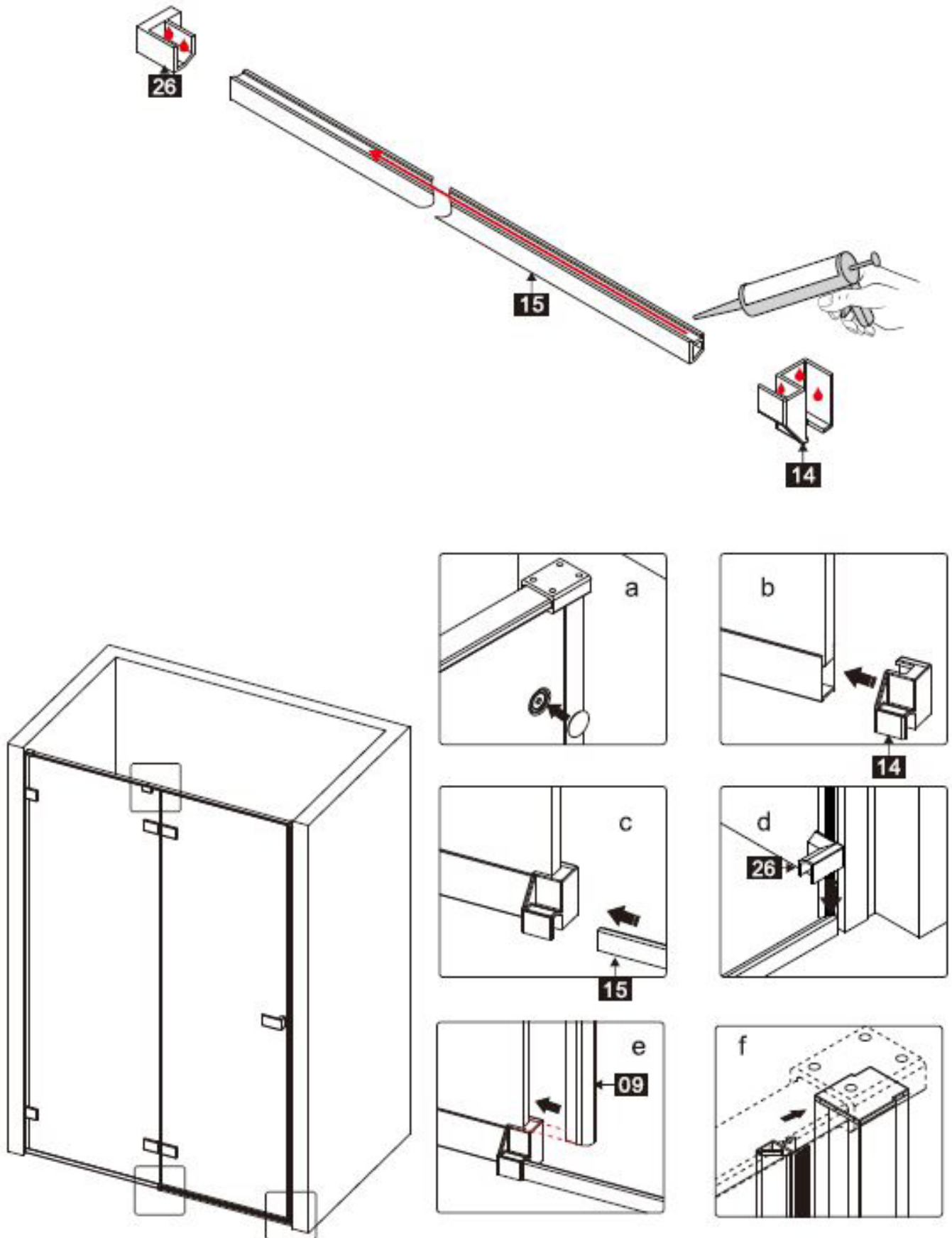
This product is heavy and requires assembly by two people.



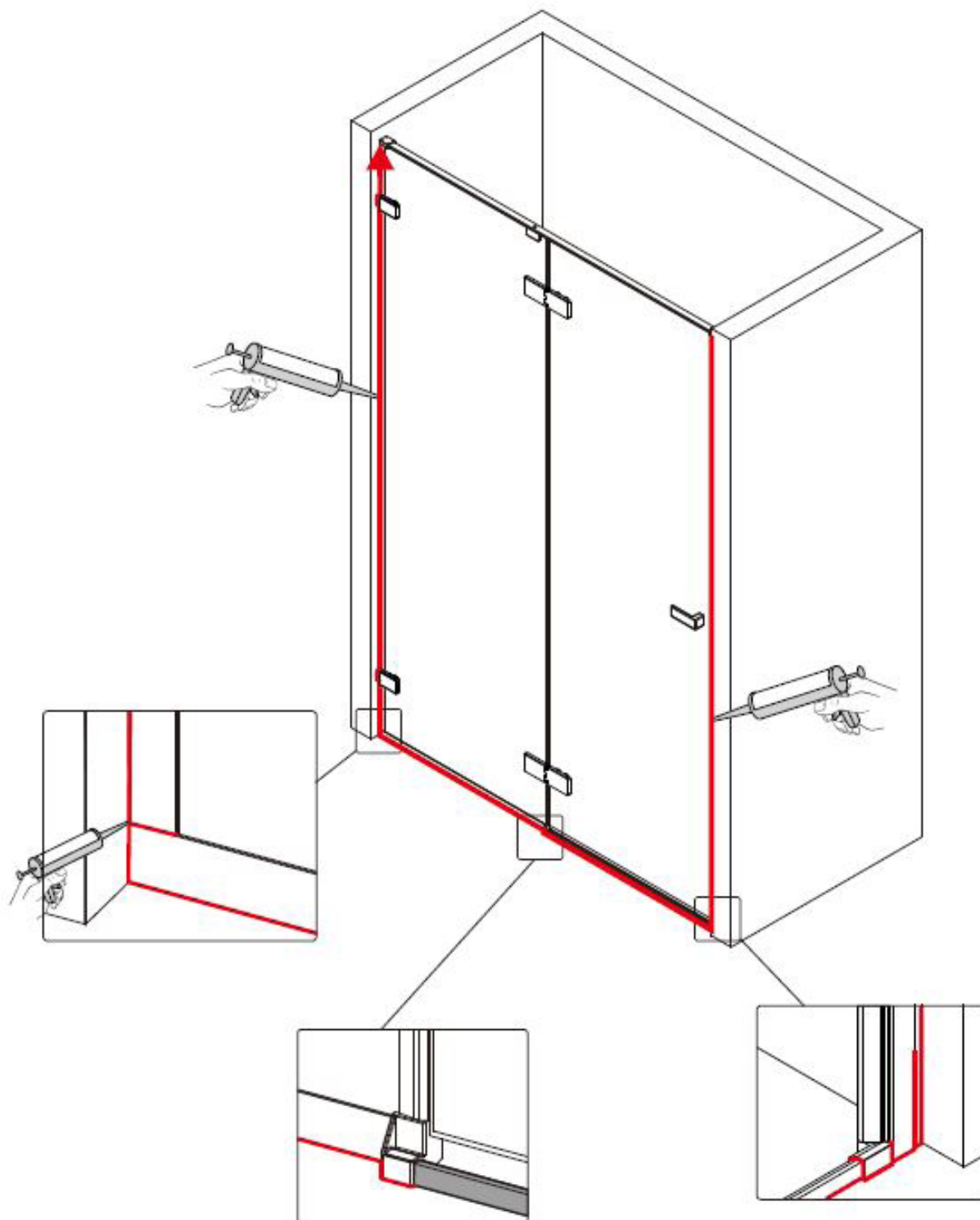
This product is heavy and requires assembly by two people.



This product is heavy and requires assembly by two people.



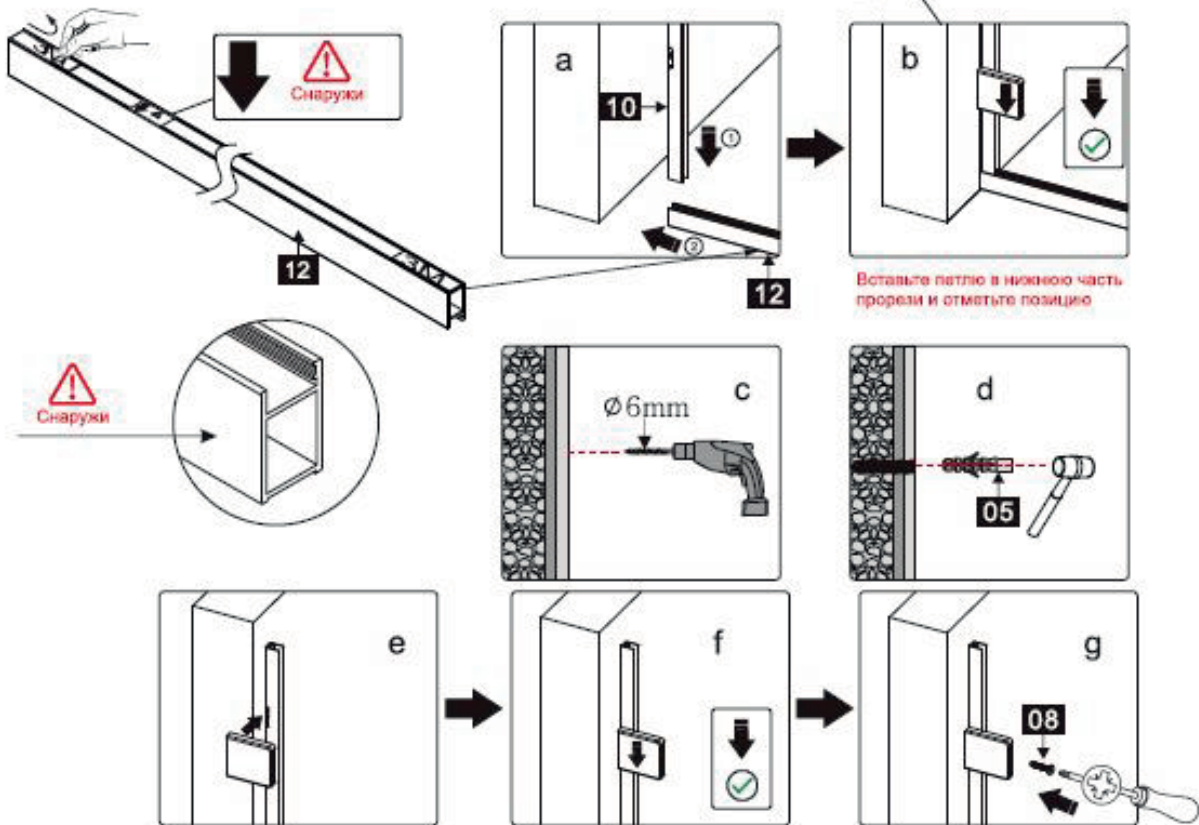
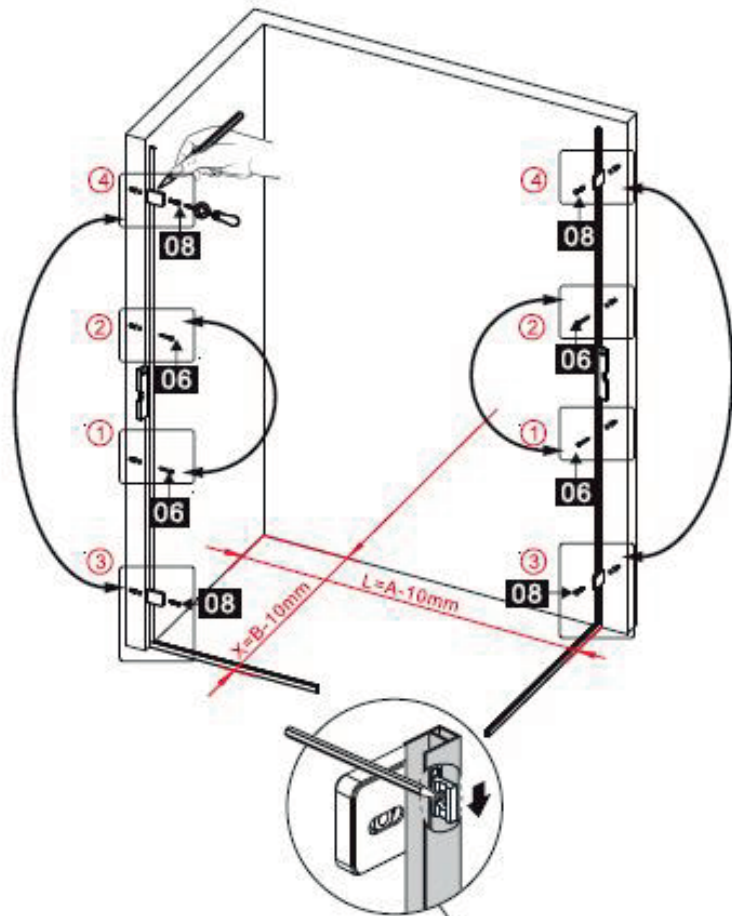
This product is heavy and requires assembly by two people.



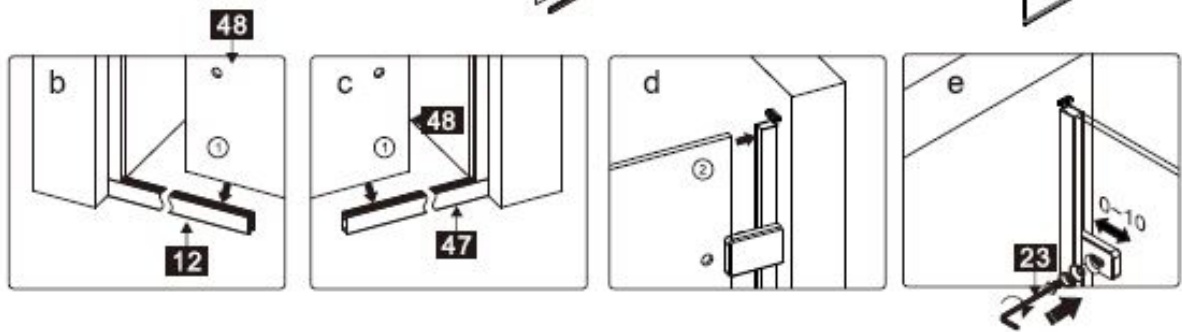
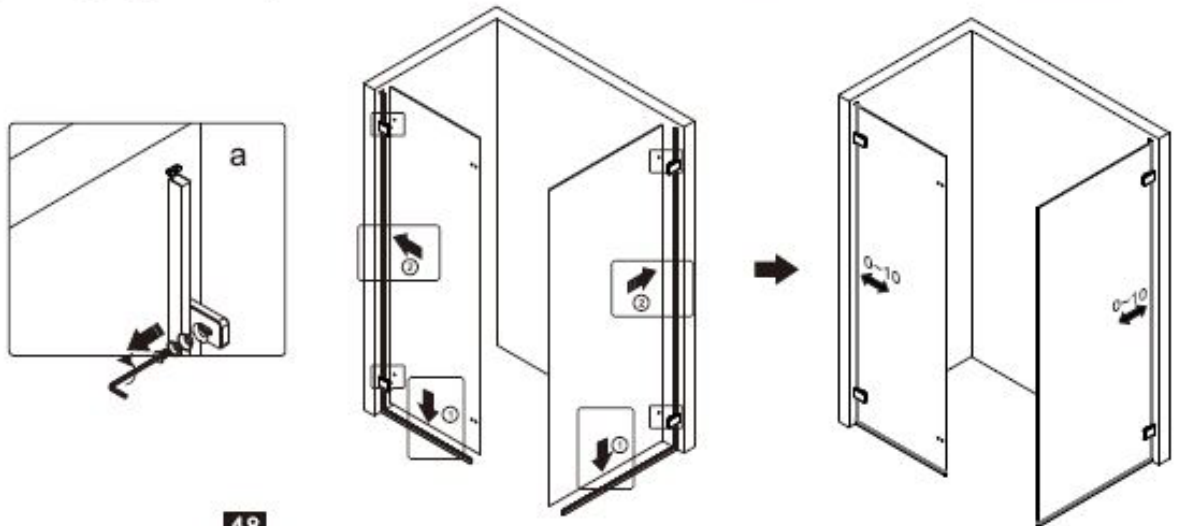
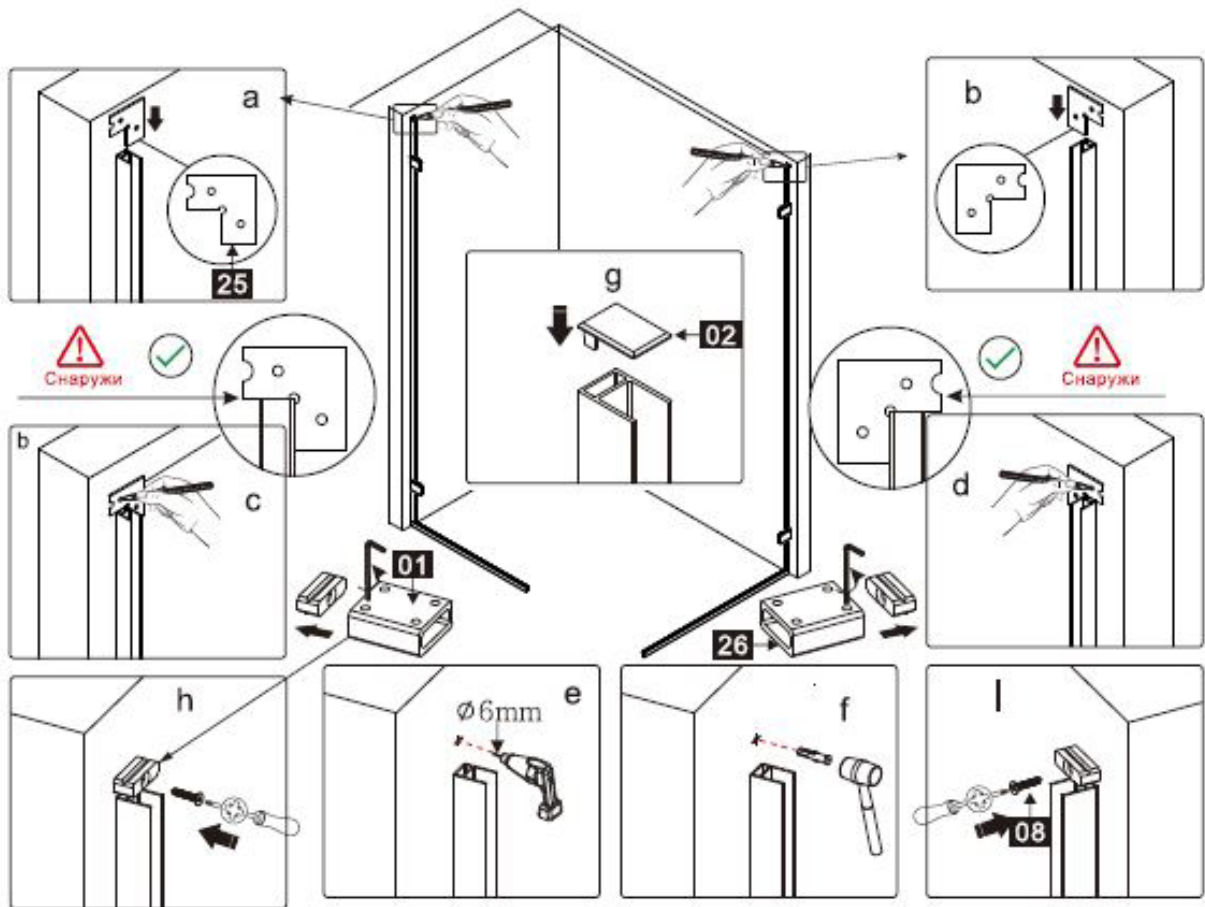
This product is heavy and requires assembly by two people.

Measurement	Installation size (mm) / A
900	873~883
1200	1173~1183

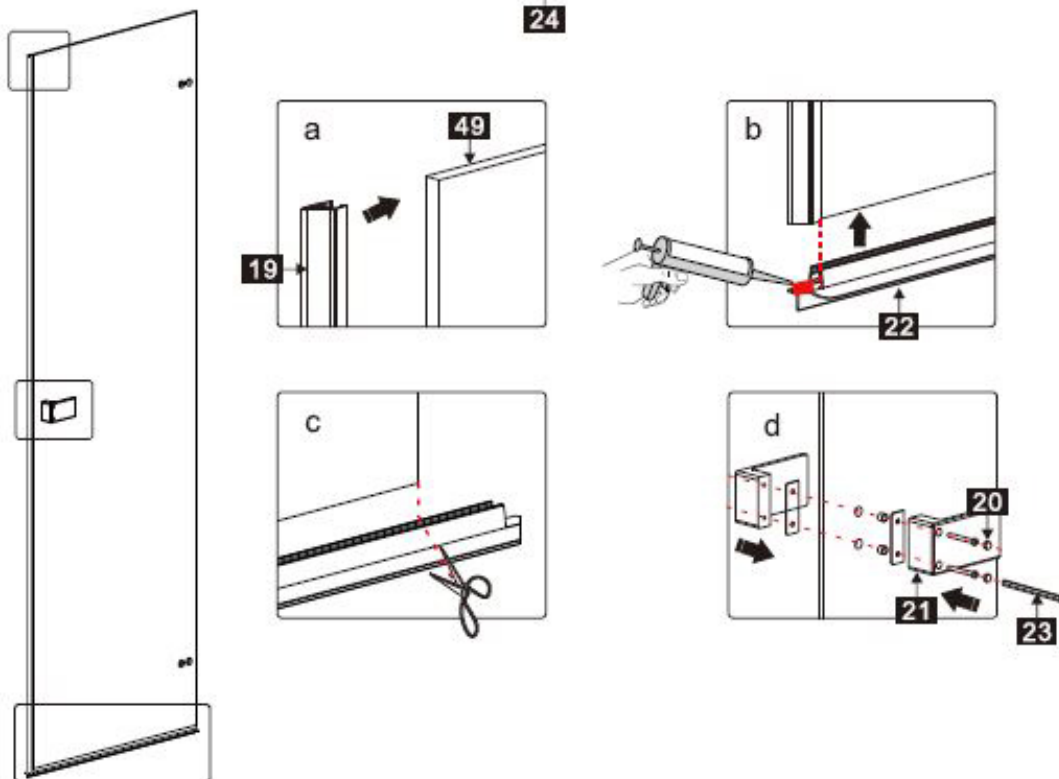
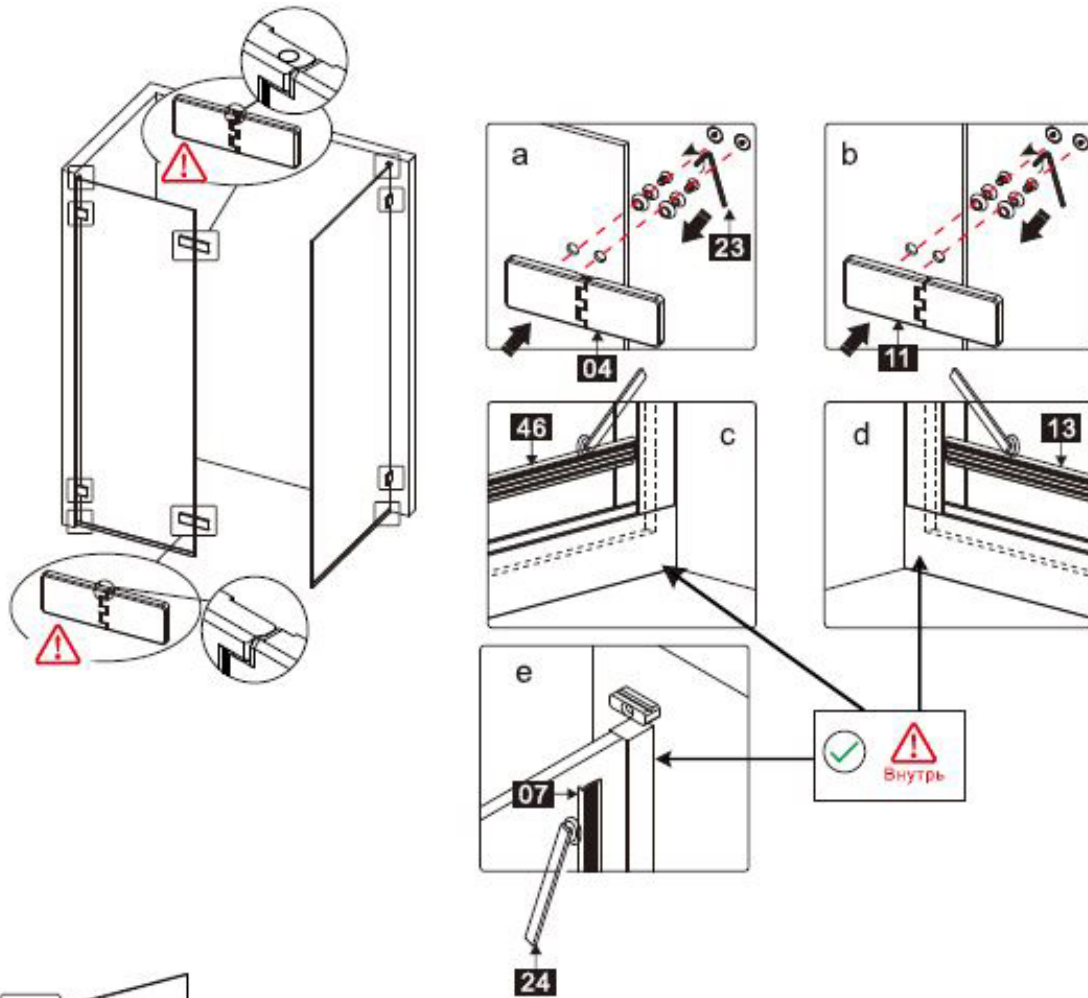
Measurement	Installation size (mm) / A
900	885~900



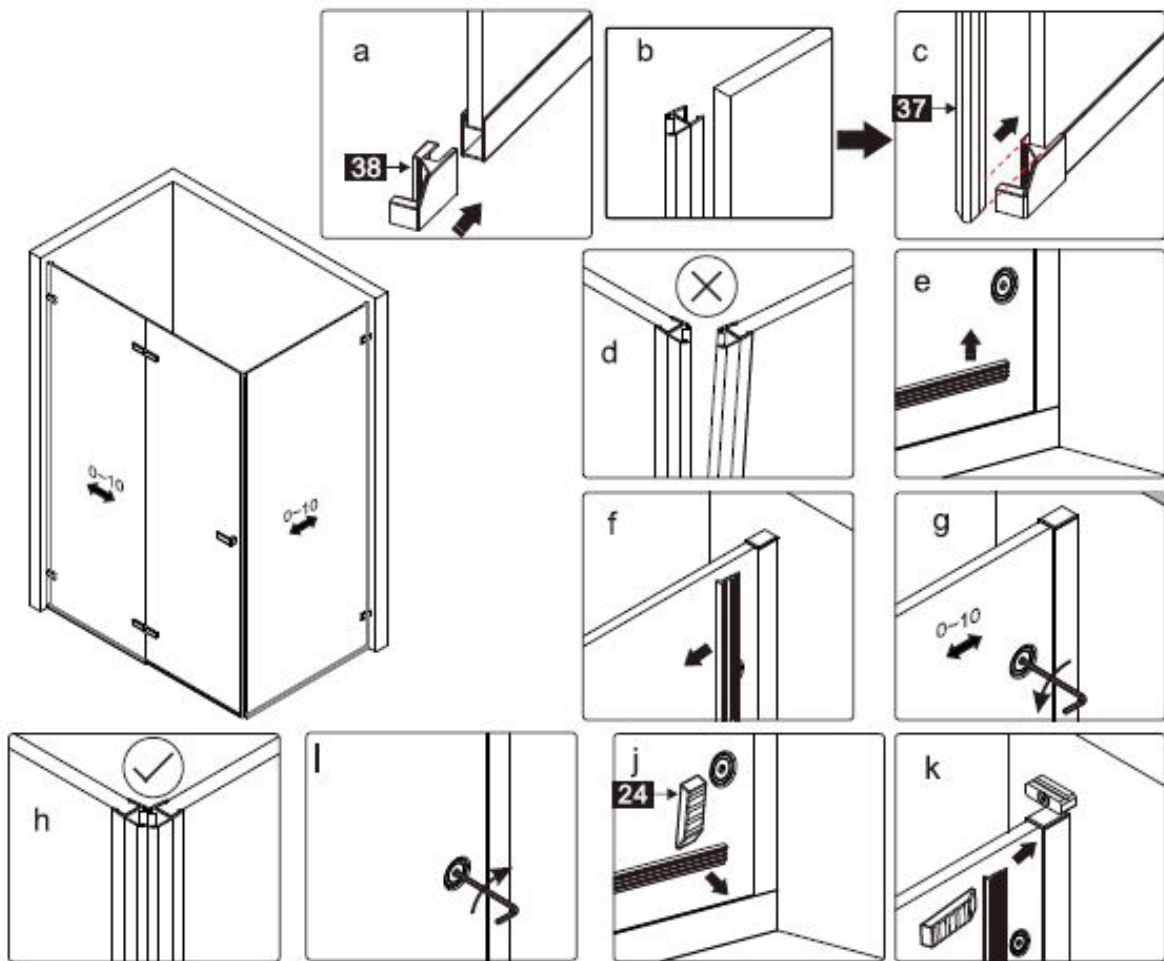
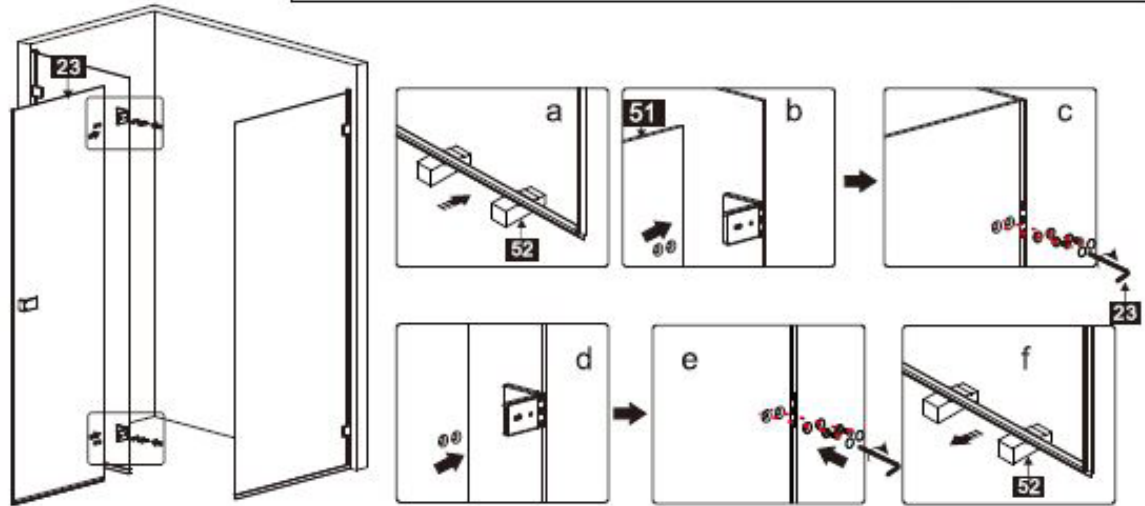
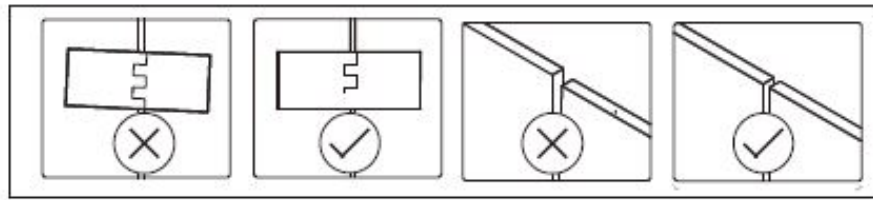
This product is heavy and requires assembly by two people.



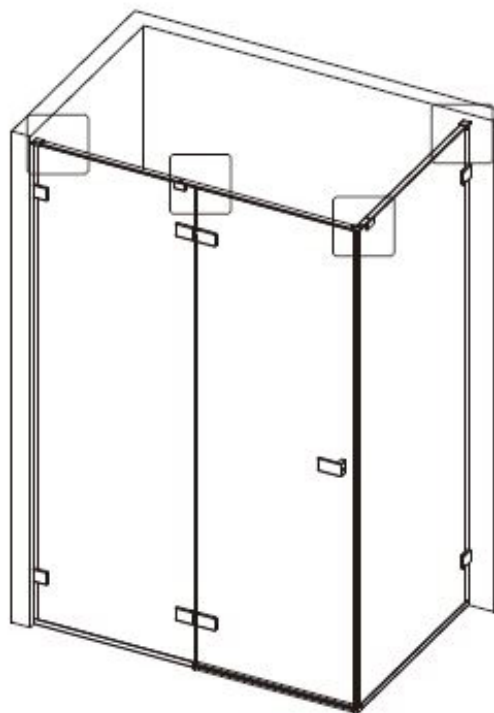
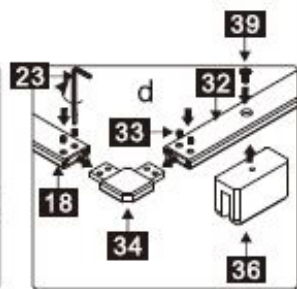
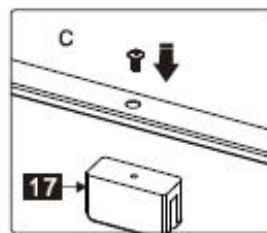
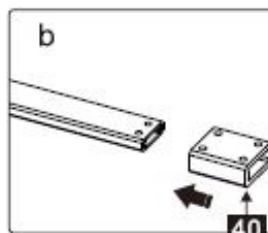
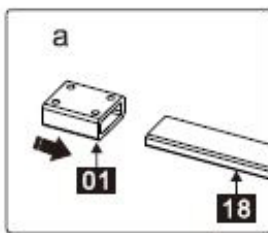
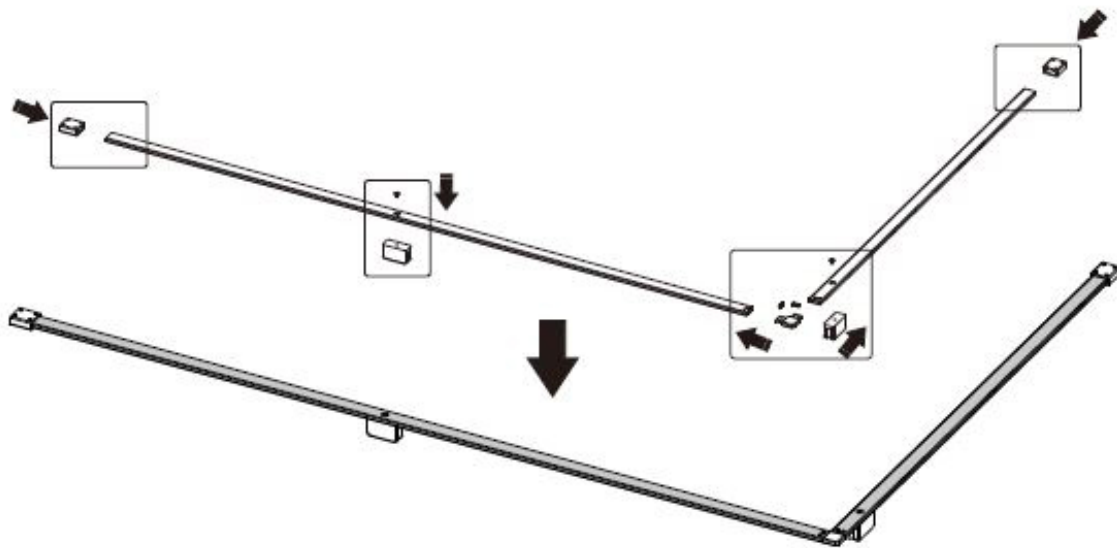
This product is heavy and requires assembly by two people.



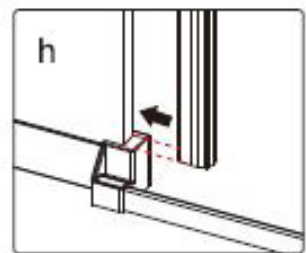
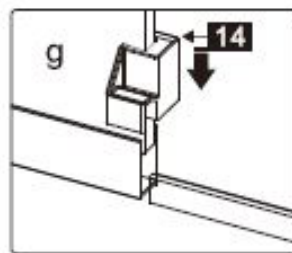
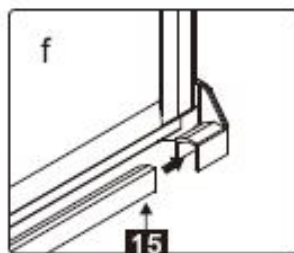
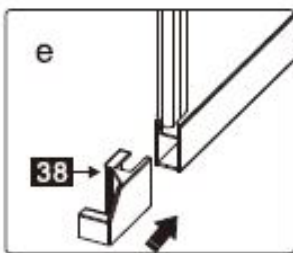
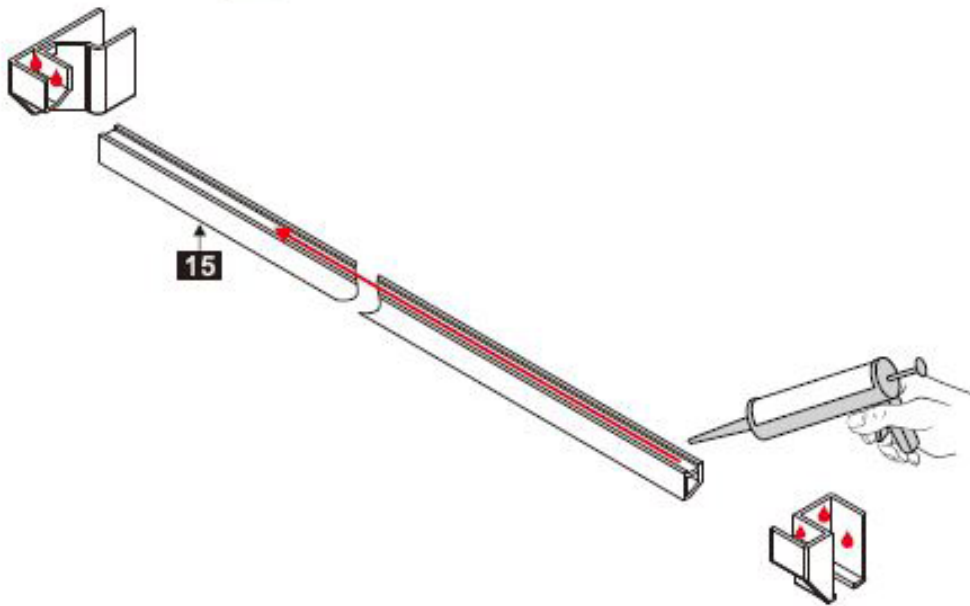
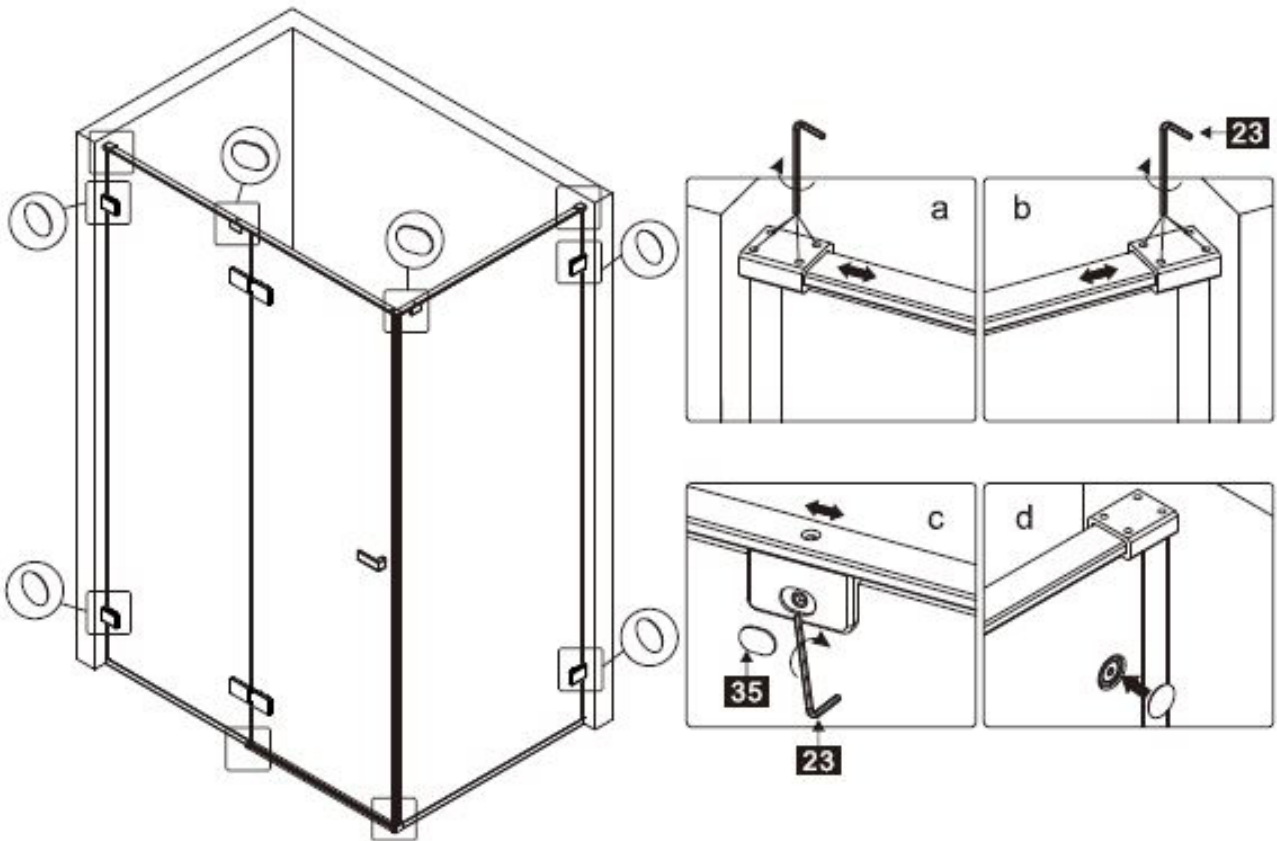
This product is heavy and requires assembly by two people.



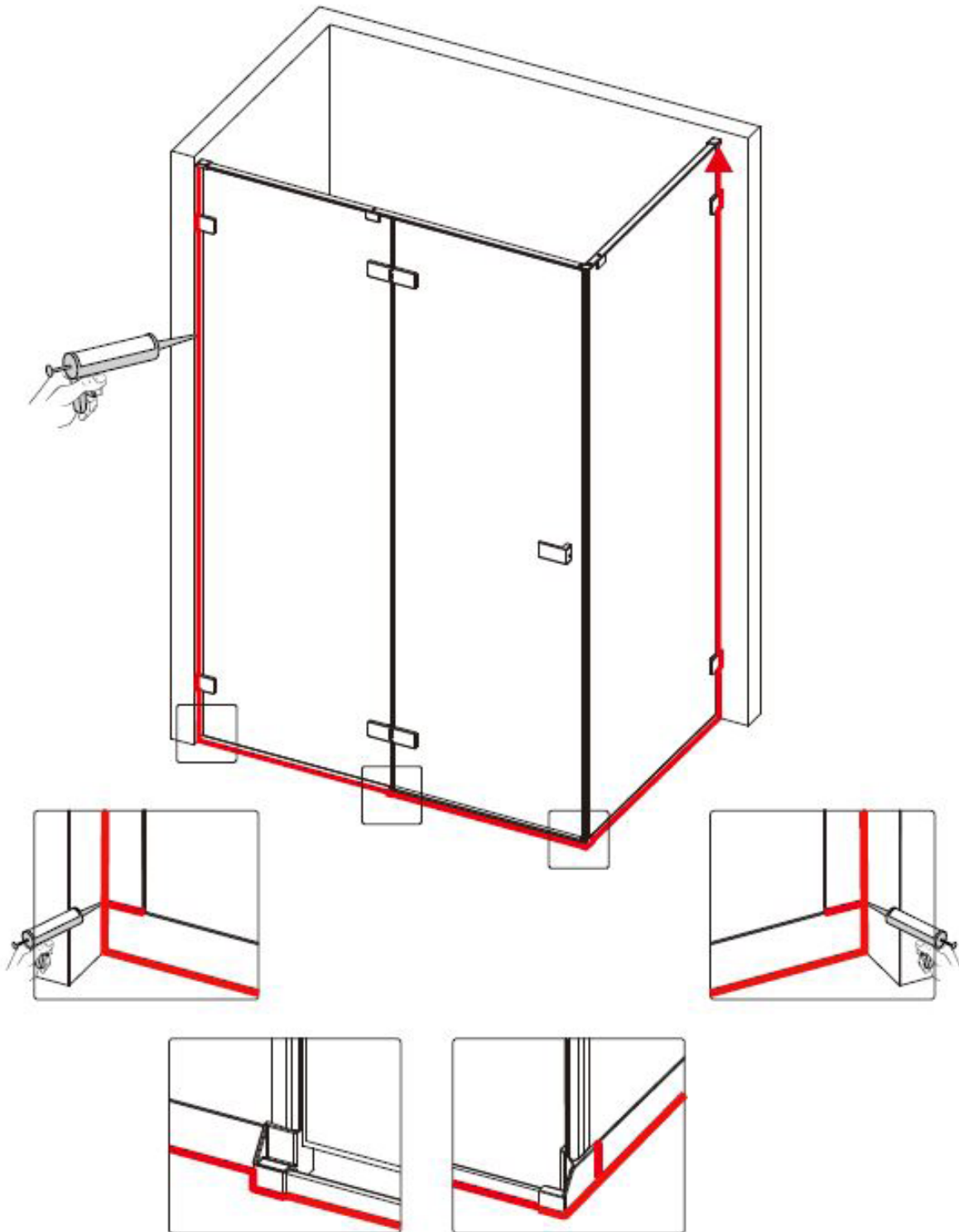
This product is heavy and requires assembly by two people.



This product is heavy and requires assembly by two people.



This product is heavy and requires assembly by two people.



This product is heavy and requires assembly by two people.